

	operation when directly connected to chimney	operation when connected accumulation mass
Energy label	A	A
Operating data		
Nominal heat power	13 kW	----
Efficiency	> 80 %	----
Consumption of wood	3,7 kg/h	5 kg
Total heat output of the burning chamber	----	20 kW
Mass flow of flue gas	10,7 g/s	18 g/s
Required chimney pressure	12 Pa	12 Pa
Required amount of combustion air	40 m ³ /h	50 m ³ /h
Average flue gas temperature		
on the output	291 °C	330 °C
past 2,4 m of ceramic accumulation system KMS 300 ¹	----	200 °C
Heat distribution		
fireplace insert	40 %	60 %
door glass (single / double)	60 / 0 %	20 / 0 %
adjoining accumulation mass	----	20 %
Information for ventilated builds		
Minimal grill area supply / outgoing	1050 / 1250 cm ²	1050 / 1250 cm ²
Minimum distance from insulated areas / floor	50 / 0	50 / 0
Reference insulation ² ceiling / back wall / side wall / floor	120 / 70 / 0 / 0	120 / 70 / 0 / 0
Calciumsilicate insulation ³ ceiling / back wall / side wall / floor	80 / 50 / 0 / 0	80 / 50 / 0 / 0
Information for non-ventilated builds (closed grills)		
Minimum radiant area ⁴	4 m ²	5 m ²
Minimum distance from insulated areas / floor	50 / 20 mm	50 / 20 mm
Reference insulation ² ceiling / back wall / side wall / floor	160 / 90 / 0 / 20 mm	160 / 90 / 0 / 20 mm
Calciumsilicate insulation ³ ceiling / back wall / side wall / floor	120 / 70 / 0 / 20 mm	120 / 70 / 0 / 20 mm
General technical information		
Total weight / lining weight	ca. 312 / 59 kg	ca. 312 / 59 kg
Burning chamber dimensions (width x depth)	280 x 710 mm	
Combustion air connection	Ø 150 mm	
Use in non-ventilated accumulation builds according to craft rules	suitable	
Tested according to	EN 13229	
Meets values	BlmSchV (Stufe2), 15a BvG, NS 3059	

¹ Listed value from testing. For accurate results is evaluation of each system in the Ortner / KOV program necessary.

² Mineral wool according to AGI-Q 132

³ Example SkamoEnclousure Board 225 kg/m³

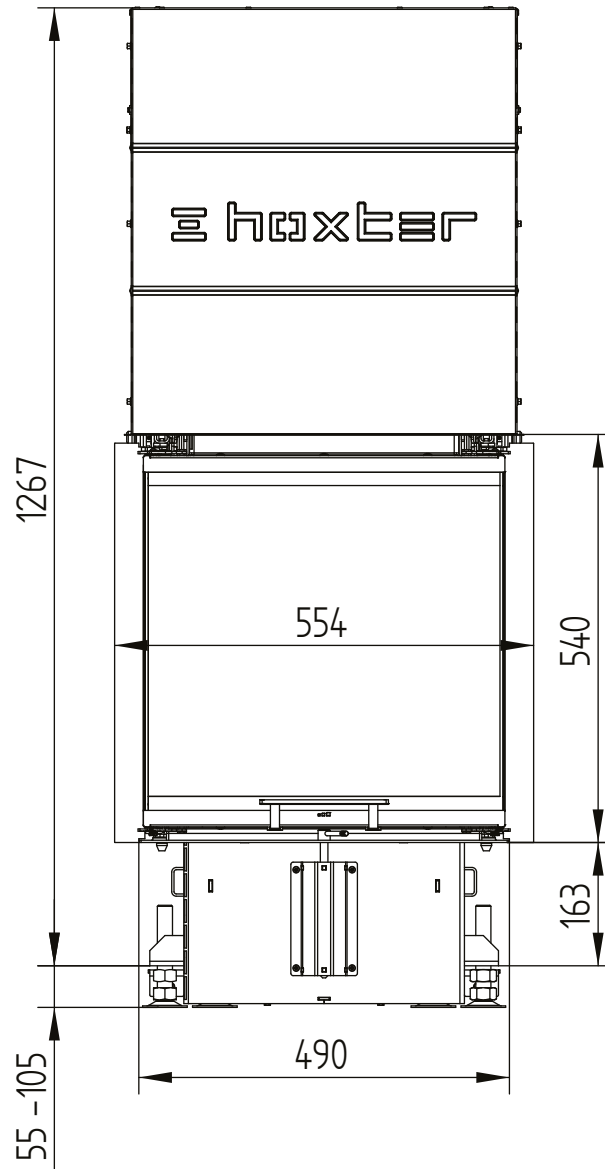
⁴ Depends on accumulation period and material characteristics. Listed values calculated with chamotte stone thickness 30 mm with radiant area 500 W/m²

UKA 86/50/86/52

Technical data
Version 2019/08

air connection / feet

M 1:10

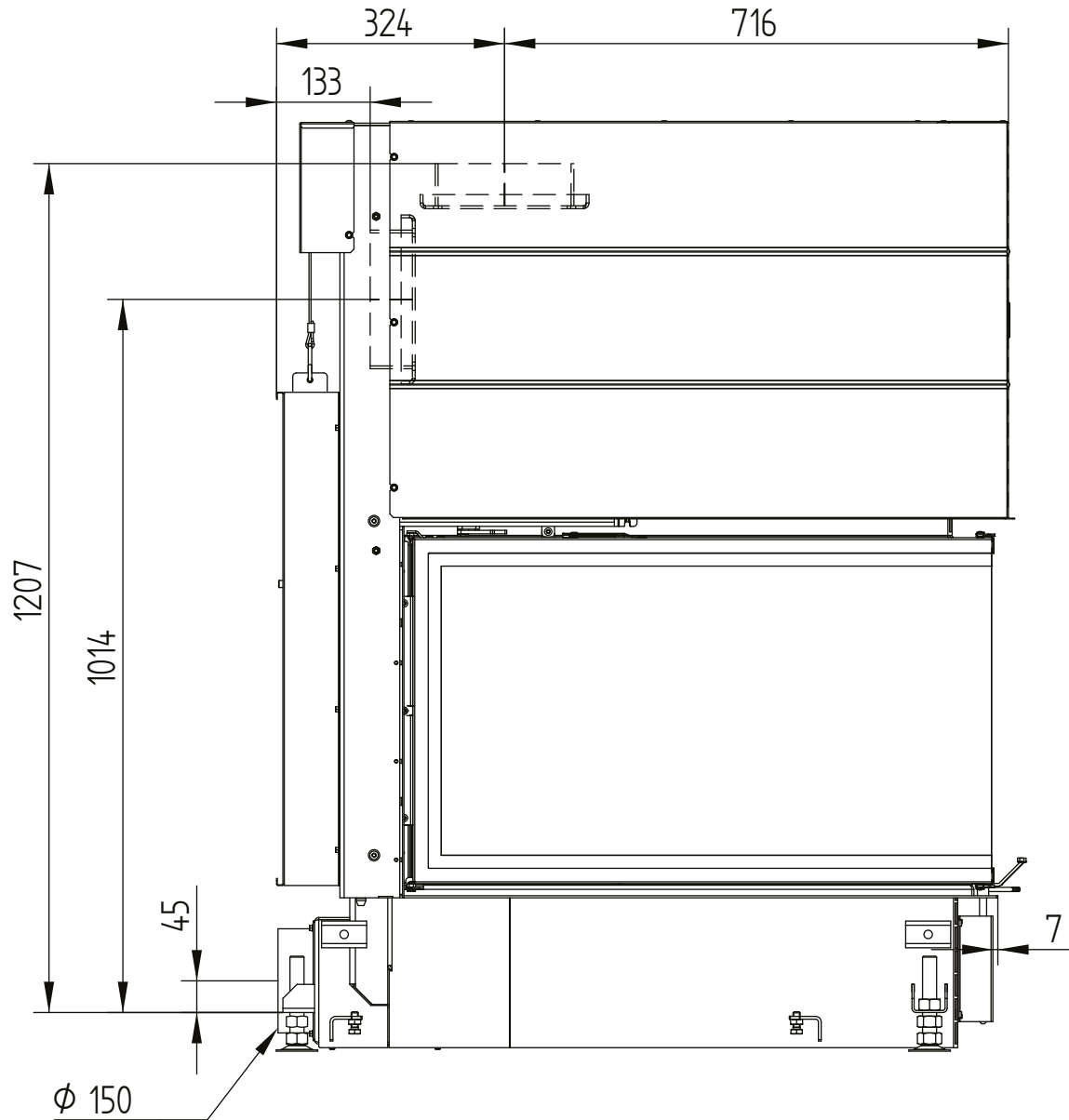


UKA 86/50/86/52

Technical data
Version 2019/08

air connection / feet

M 1:10

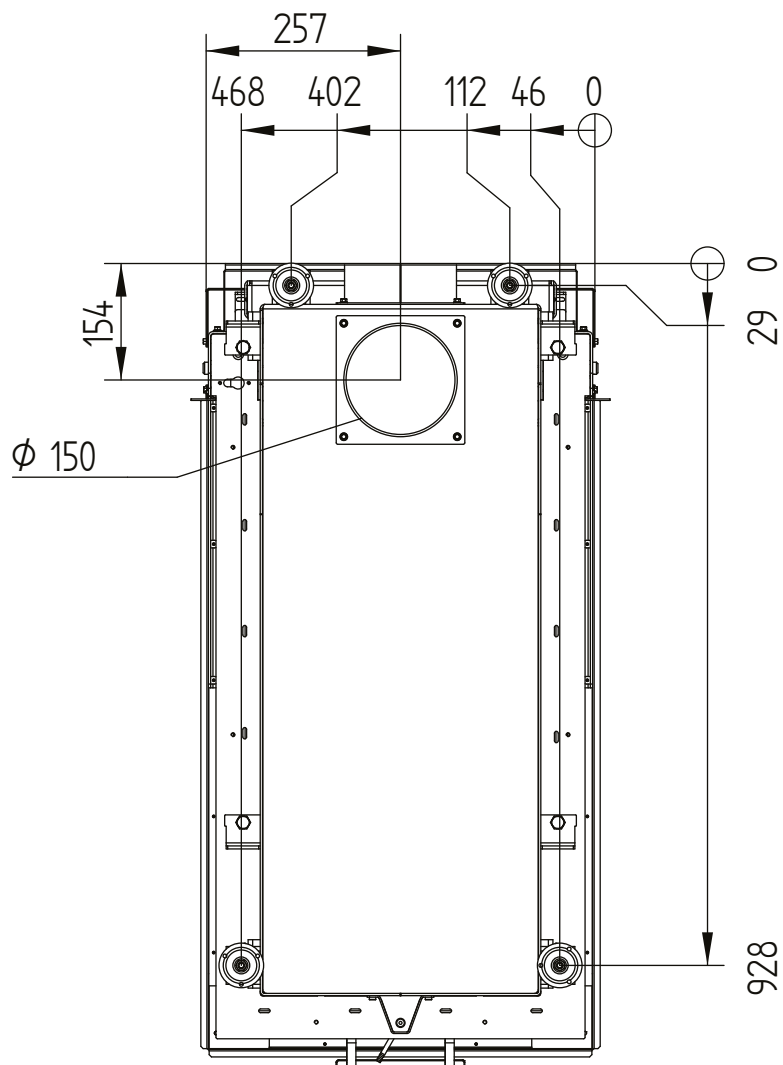
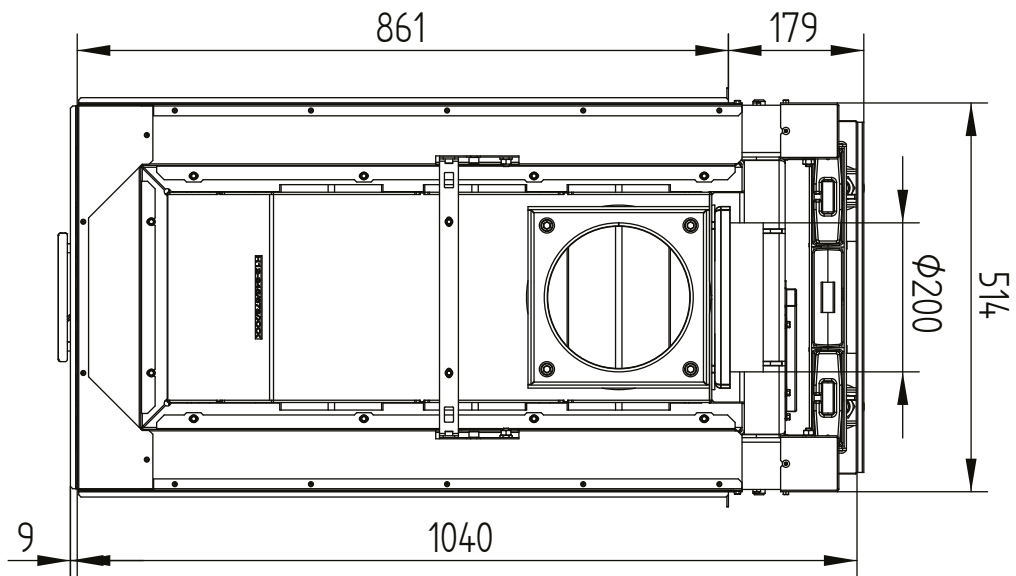


UKA 86/50/86/52

Technical data
Version 2019/08

air connection / feet

M 1:10

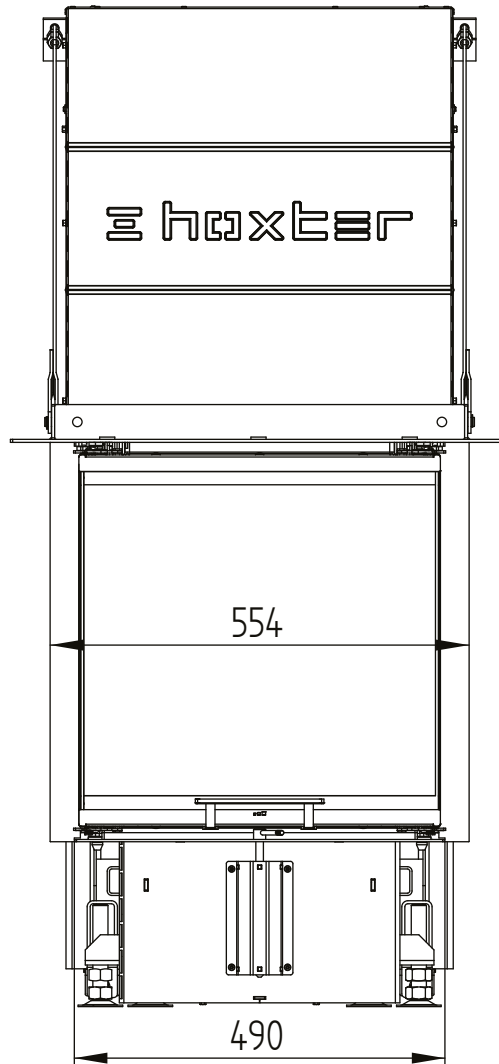


UKA 86/50/86/52

Technical data
Version 2019/08

supporting construction incl. build-on frame 3sides 70 mm

M 1:10

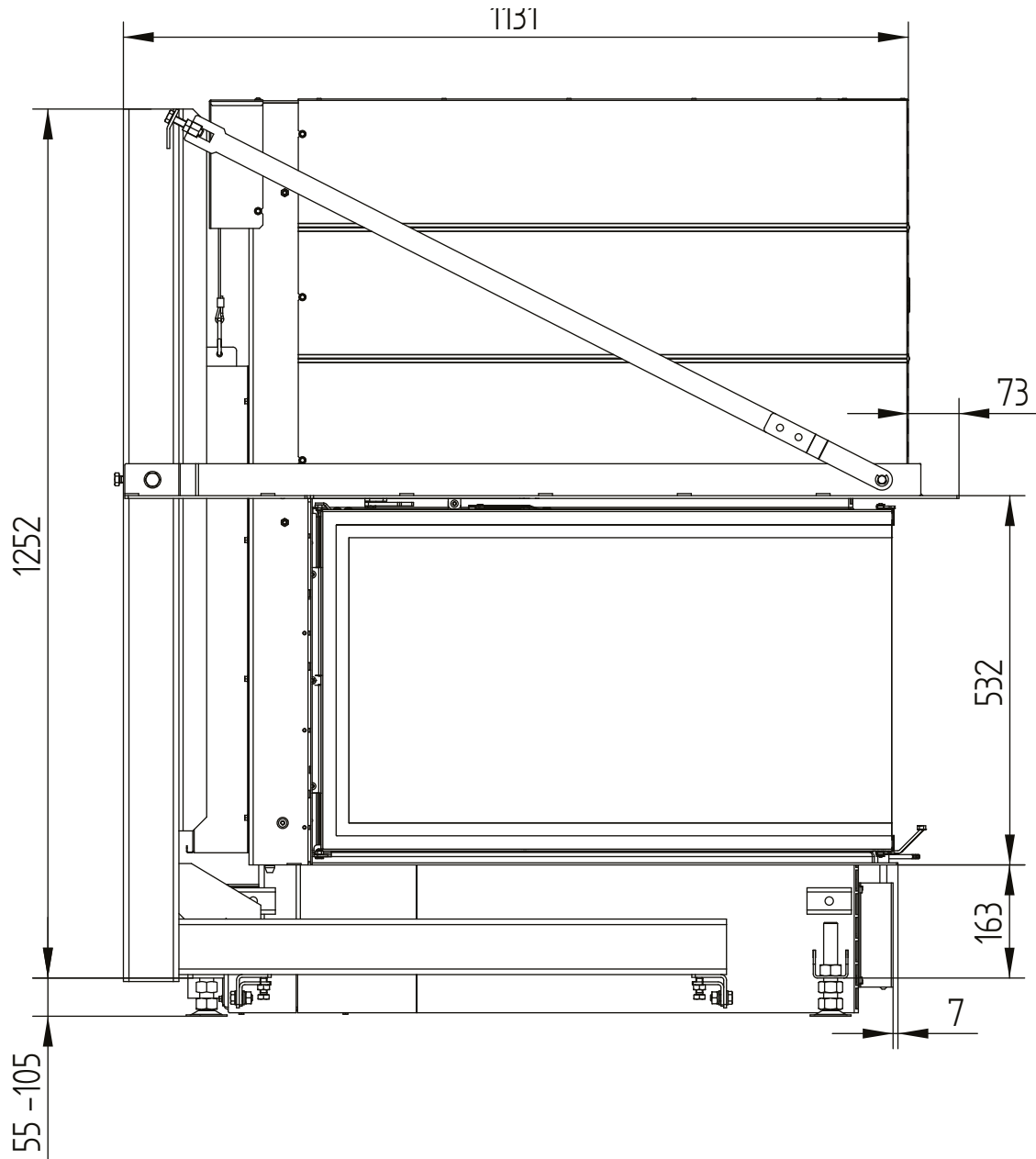


UKA 86/50/86/52

Technical data
Version 2019/08

supporting construction incl. build-on frame 3sides 70 mm

M 1:10

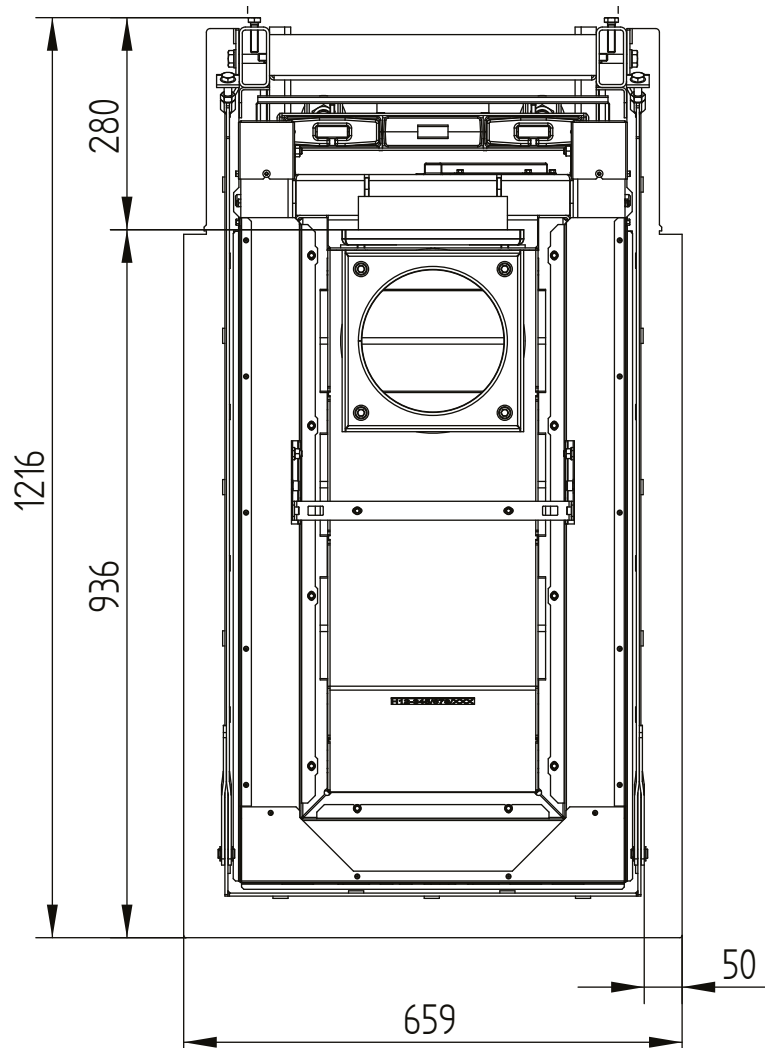


UKA 86/50/86/52

Technical data
Version 2019/08

supporting construction incl. build-on frame 3sides 70 mm

M 1:10

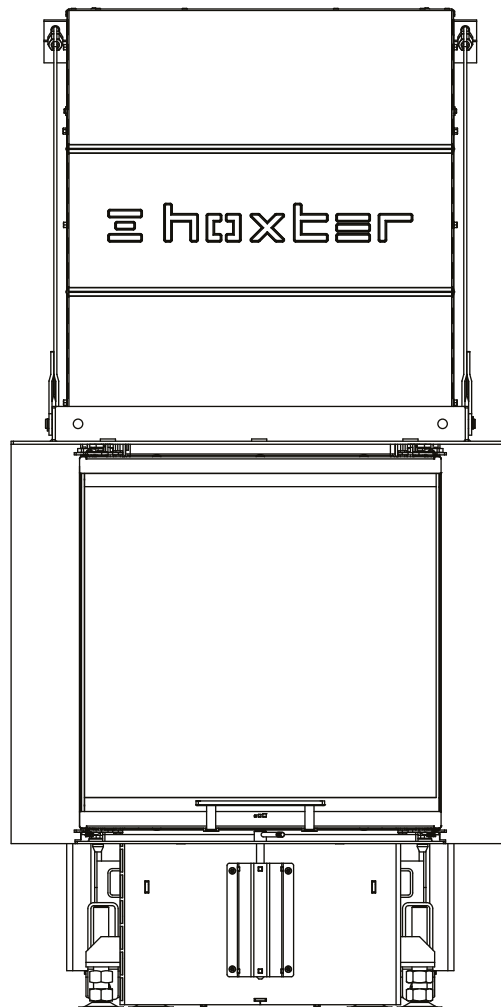


UKA 86/50/86/52

Technical data
Version 2019/08

supporting construction incl. build-on frame 5sides 70 mm

M 1:10

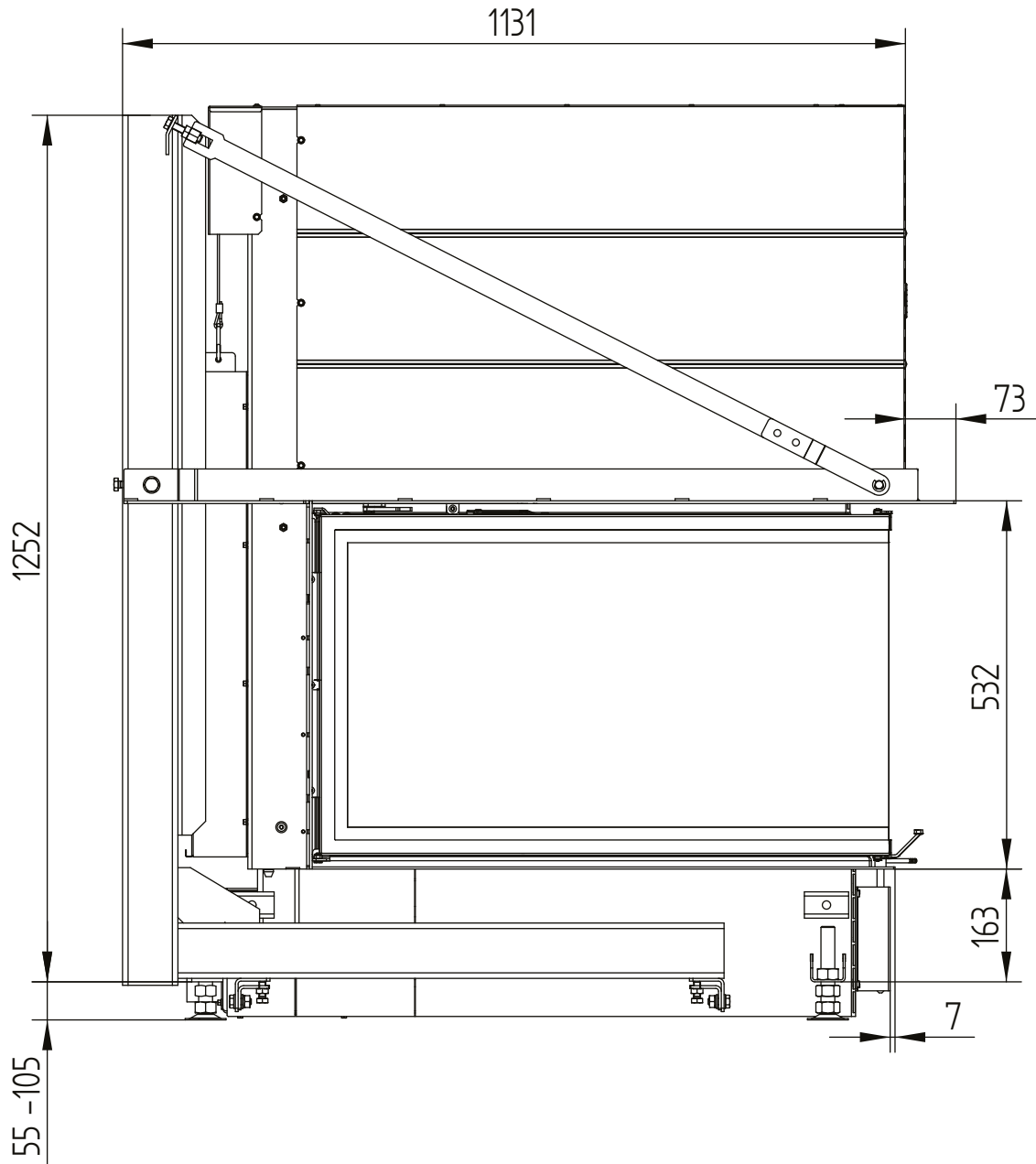


UKA 86/50/86/52

Technical data
Version 2019/08

supporting construction incl. build-on frame 5sides 70 mm

M 1:10

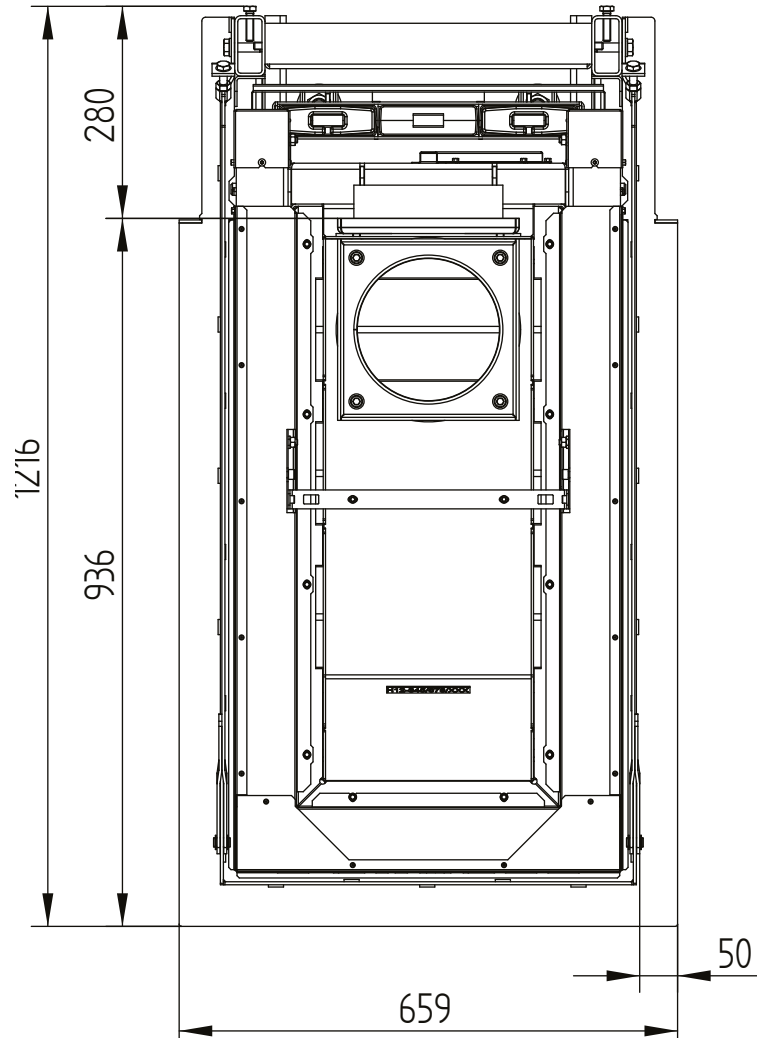


UKA 86/50/86/52

Technical data
Version 2019/08

supporting construction incl. build-on frame 5sides 70 mm

M 1:10

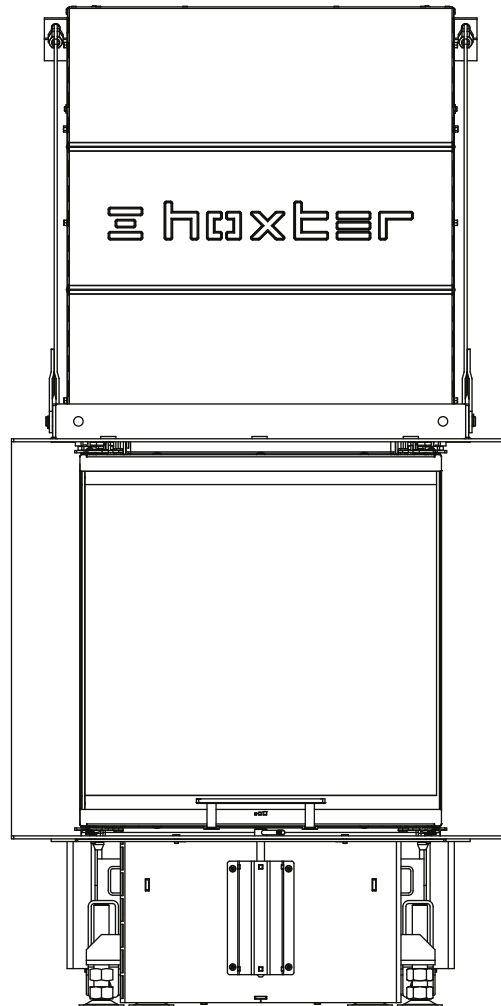


UKA 86/50/86/52

Technical data
Version 2019/08

supporting construction incl. build-on frame 8sides 70 mm

M 1:10

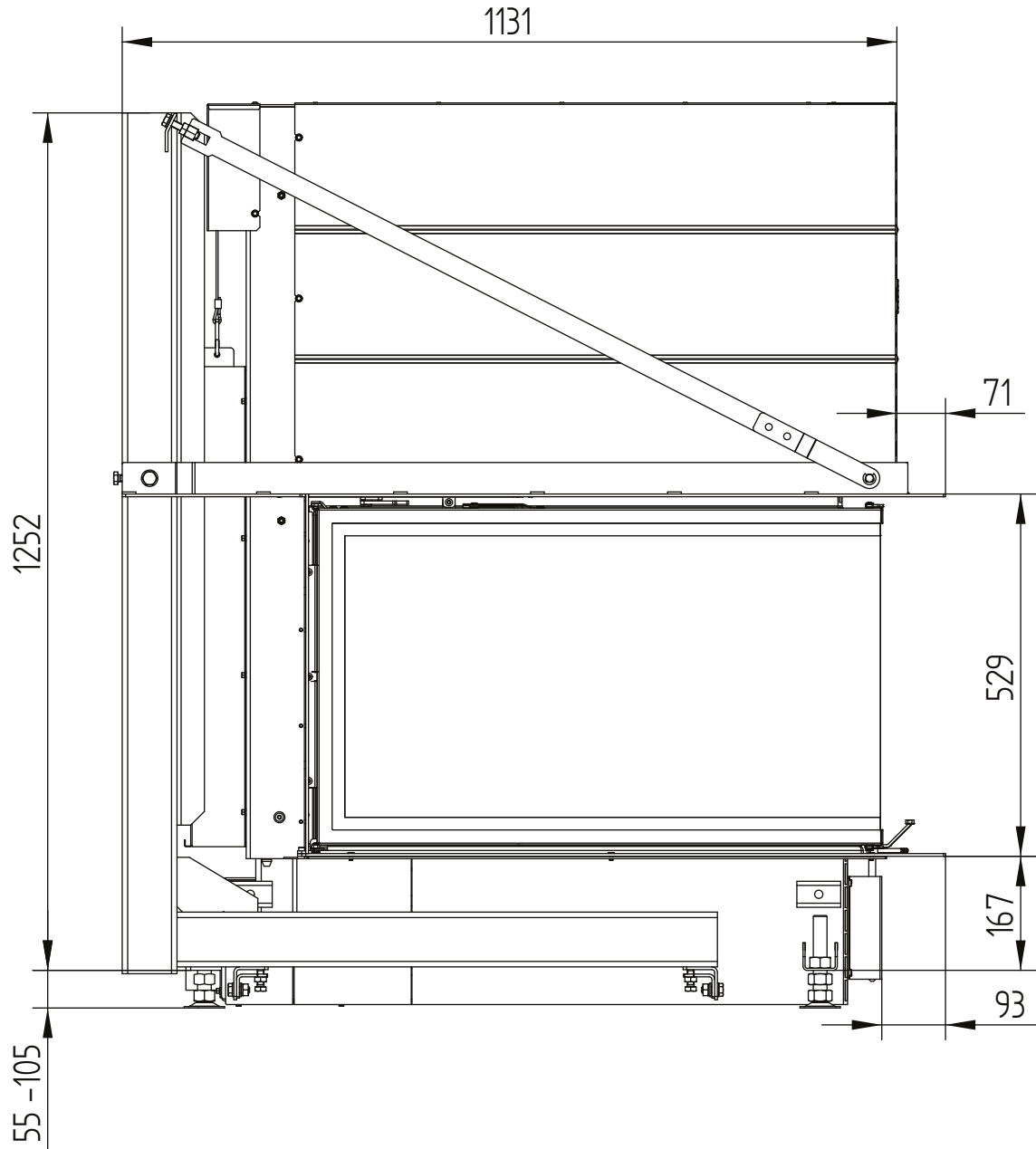


UKA 86/50/86/52

Technical data
Version 2019/08

supporting construction incl. build-on frame 8sides 70 mm

M 1:10



UKA 86/50/86/52

Technical data
Version 2019/08

supporting construction incl. build-on frame 8sides 70 mm

M 1:10

